

# STRUT SPECIFICATION SHEET

Customer.

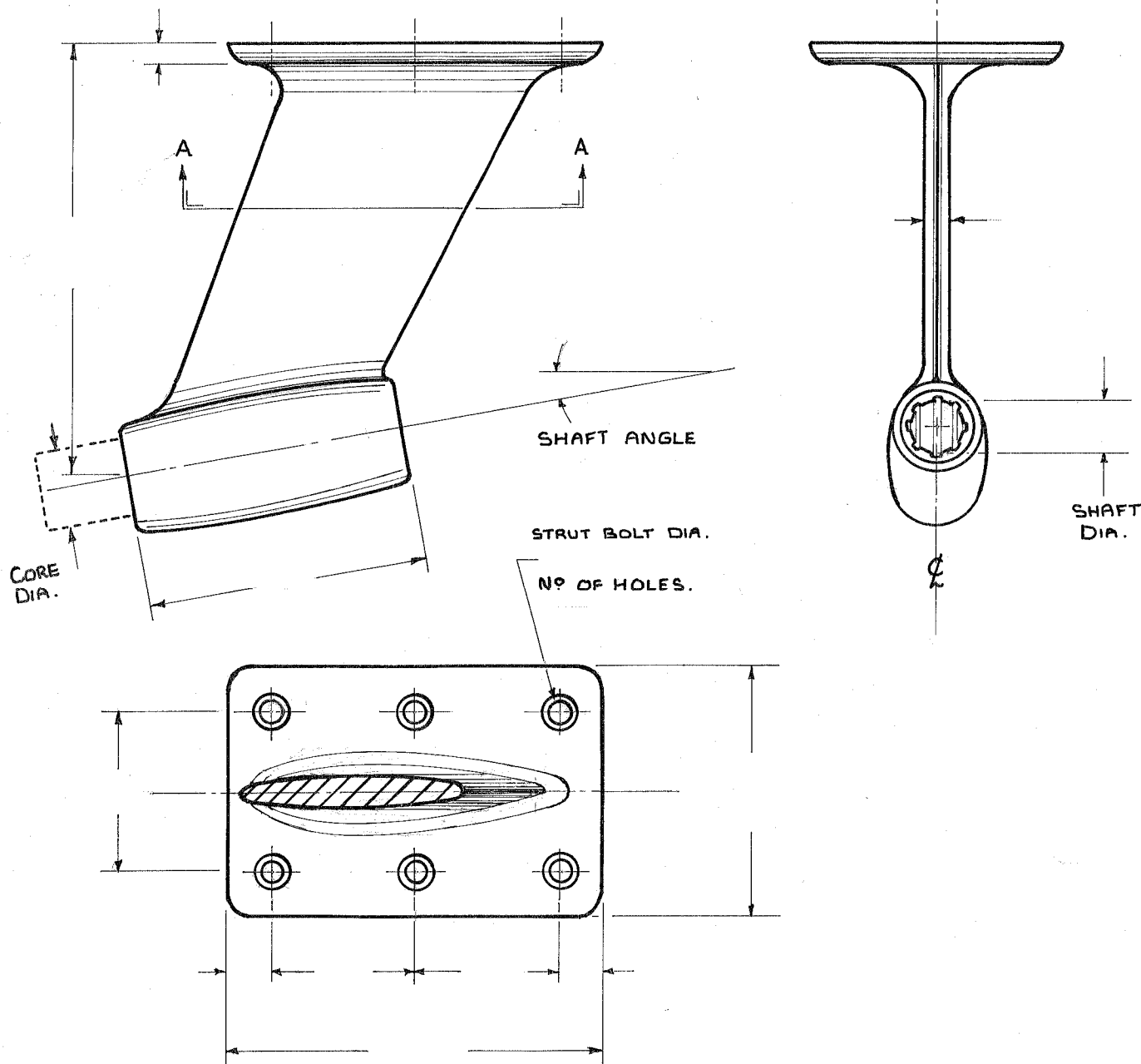
Job No.

Address.

Strut No. **S**

Description.

Date. / /



SECTION A-A

Bearing Dimensions.	ID	OD	LTH.	Type.
No. of Struts Req'd.	Handed			<input type="checkbox"/> Yes <input type="checkbox"/> No
M.O.T. Survey Req'd.	<input type="checkbox"/> Yes <input type="checkbox"/> No	Material. <b>AB1 BRONZE</b>		
Supply Bearing	<input type="checkbox"/> Yes <input type="checkbox"/> No	Price ( Incl. GST ) ( Exc. Brg. ) \$ ea.		
Comment.				

**Chatfield Engineering Limited**

PO Box 100164, Nth Shore Mail Centre, Auckland 10  
 9 Porana Road, Takapuna, Auckland  
 Phone (09) 444-9031, Fax (09) 444-7818