

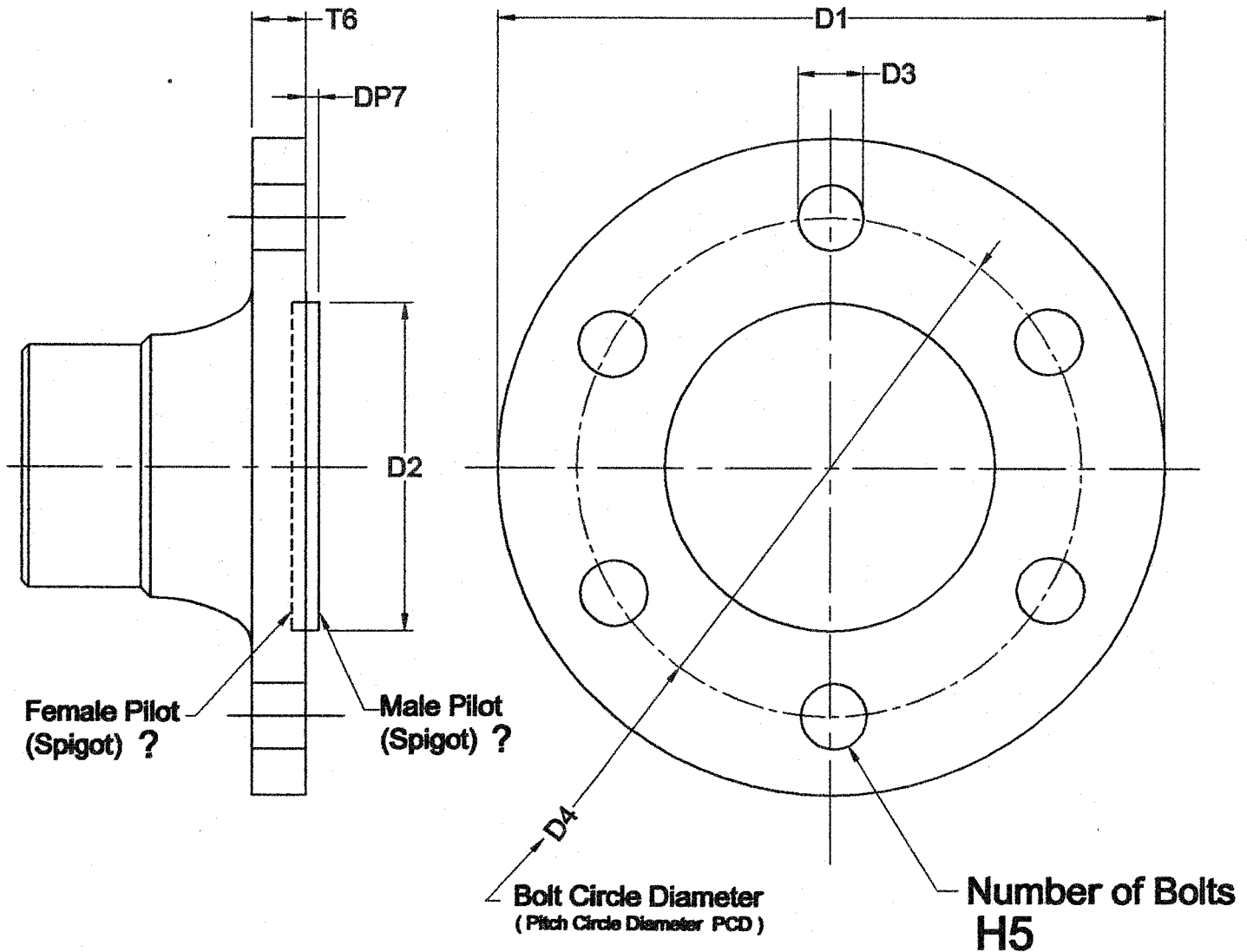
# GEARBOX OUTPUT COUPLING SPECIFICATION SHEET

Customer.		Phone. Fax.		Vessel.	
Job No.	Is Flexible Coupling Req'd		Type & Model No.		Date. / /
	Yes	No			

## Gearbox Type

Make.	Model.	Reduction. : 1
-------	--------	----------------

**Please Note :** No vessel should be launched with a shaft runout exceeding .003" (.076mm)



Please fill in Output Coupling dimensions in spaces provided below.

Note: This drawing is schematic only, please check boxes below

D1		H5		Gearbox Output Coupling Pilot / Spigot :	Male	Female
D2		T6		Number of Prop. Shaft Couplings Req'd :		
D3		DP7		Engine Make		Engine Rpm
D4						Engine HP

# Chatfield Engineering Limited.

P.O. Box 100164, Nth Shore Mail Centre, Auckland 10  
9 Porane Road, Takapuna, Auckland  
Phone (09) 444-0031 Fax (09) 444-7818